

## PARTS LIST & MATERIAL SPECIFICATION

	63618, 63718, 63118	64618, 64718, 64118	65618, 65718, 65118
1 INLET SEAT	BRASS BS EN 12164 CW614N	ST.STL. BS EN 10088-3 1.4401 (316) SA-479 S31600	ST.STL. BS EN 10088-3 1.4401 (316) SA-479 S31600
2 'O' RING	SEE SELECTION CHART		
3 SEAL RETAINER	BRASS BS EN 12164 CW614N	ST.STL. BS EN 10088-3 1.4401 (316)	ST.STL. BS EN 10088-3 1.4401 (316)
4 PLUNGER	BRASS BS EN 12164 CW602N	ST.STL. BS EN 10088-3 1.4401 (316)	BRASS BS EN 12164 CW602N
5 BODY	BRONZE / GUNMETAL BS EN 1982 CC491K SB-62 C83600	ST.STL. BS EN 10283 1.4408 (316) SA-351 CF8M	BRONZE / GUNMETAL BS EN 1982 CC491K SB-62 C83600
6 SPRING	ST.STL. BS EN 10270-3 1.4310 (302)		
7 SPINDLE	ST.STL. BS EN 10088-3 1.4057 (431)		
8 ADJUSTER	BRASS BS EN 12164 CW614N	ST.STL. BS EN 10088-3 1.4401 (316)	BRASS BS EN 12164 CW614N
9 CAP	BRASS BS EN 12164 CW614N	ST.STL. BS EN 10088-3 1.4401 (316)	BRASS BS EN 12164 CW614N
10 WIRE & SEAL	ST.STL. & LEAD		

## APPROVALS

Ad-Merkblatt A2: (TÜV GERMANY) TÜV.SV.03-916.17.D/G.α<sub>w</sub>.p,  
Designed in accordance with BS EN ISO 4126-1 & BS 6759 Part 2 but not approved.  
P.E.D. 97/23/EC

Type examination module B, Cert. No. 01 202 111-B-00016

Quality management system module D, Cert. No. EDS 0002011/01

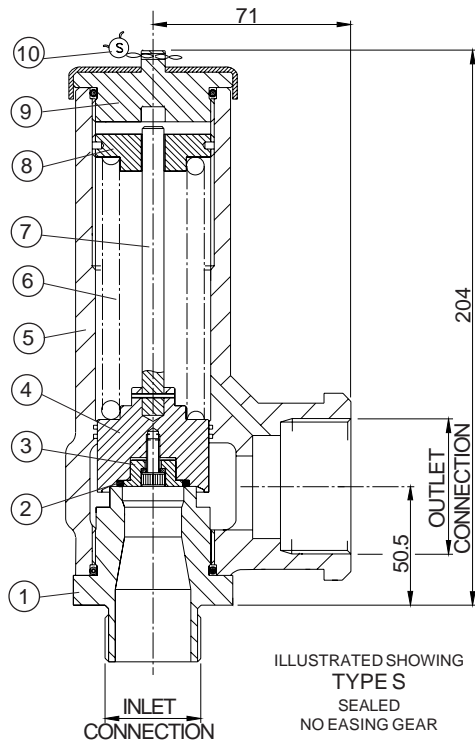
Meeting the requirements of the A.S.M.E. Boiler & Pressure Vessel Code section VIII for air/gas.

UV Cert. of Authorisation: 35757

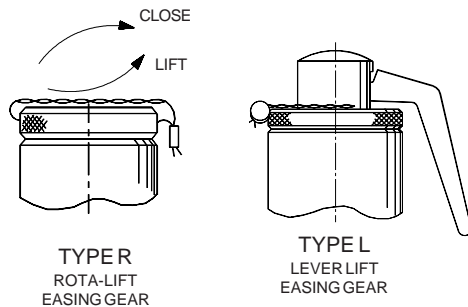
Capacities certified by the National Board of Boiler & Pressure Vessel Inspectors.

## TECHNICAL DATA

Relieving pressure	= Set pressure + 10%
Reseating pressure	= Set pressure - 10% (0.3 Bar.g minimum)
Maximum set pressure	= 35 Bar.g (12 Bar.g Steam)
Minimum set pressure	= 1.0 Bar.g (A.S.M.E. 2.4 Bar.g)
Flow area	= 227mm <sup>2</sup>
Inlet bore diameter	= 17mm
Derated coefficient of discharge α <sub>w</sub>	= 0.74 from 1.0 to 2.4 Bar.g, α <sub>w</sub> = 0.84 from 2.4 to 35.0 Bar.g.
NB Certified rated slope	= 5.60 scfm/psia
Temperature Range	= -20°C to 200°C Subject to seal material.
Maximum permissible built up back pressure	= 10% of set pressure at or below which flow is not reduced.
Stable operation on flows down to 50% of valve rated capacity.	
FOR FURTHER INFORMATION, INSTALLATION AND OPERATION INSTRUCTIONS, CONVERSION FACTORS ETC. SEE TECHNICAL INFORMATION SECTION.	



## ALTERNATIVE TOP FITTINGS



## SEETRU LIMITED

ALBION DOCKSIDE WORKS, BRISTOL. BS1 6UT  
TELEPHONE +44 (0) 117 927 9204, FAX +44 (0) 117 929 8193  
www.seetru.com enquires@seetru.com

18mm Nominal Bore  
DIRECT SPRING LOADED ENCLOSED  
DISCHARGE SAFETY VALVE FOR  
COMPRESSED AIR, GASES & STEAM

SHEET 1 OF 2 SHEETS.

ENCLOSED DISCHARGE  
18mm NOMINAL BORE SERIES M/2  
TYPE 63618, 63718, 63118 BRASS  
TYPE 64618, 64718, 64118 ST.STL.  
TYPE 65618, 65718, 65118 BRASS / ST.STL.

## FLOW CHART (P.E.D.)

-TO CALCULATE INTERMEDIATE FLOWS SEE TECHNICAL INFORMATION SECTION B

- FOR GREATER FLOWS REFER TO 20mm BORE TYPE 63620 DATA SHEET, FOR LOWER FLOWS REFER TO 13 mm BORE 63613 DATA SHEET

SET PRESSURE Bar.g	1	2	3	4	5	6	7	8	9	10	15	20	25	30	35
RATED DISCHARGE * CAPACITY IN ACCORDANCE WITH BS EN 4126, AIR AT 15°C AND 1013 mbar Std. Litres/s	68	104	159	200	241	280	320	361	401	442	644	846	1049	1251	1454
RATED DISCHARGE * CAPACITY IN ACCORDANCE WITH TÜV, AIR AT 0°C AND 1013 mbar normal m³/h	241.7	367.6	560.1	703.0	845.9	988.7	1131.6	1274.4	1417.3	1560.2	2274.5	2988.8	3703.1	4417.4	5131.8

## FLOW CHART (P.E.D.) SATURATED STEAM

SET PRESSURE Bar.g	1	2	3	4	5	6	7	8	9	10	11	12
RATED DISCHARGE * CAPACITY IN ACCORDANCE WITH BS EN 4126 STEAM Kg/hr	186	288	435	544	652	759	866	972	1079	1186	1291	1397
RATED DISCHARGE * CAPACITY IN ACCORDANCE WITH TÜV STEAM Kg/hr	186	283	431	541	651	761	871	981	1091	1201	1311	1421

## FLOW CHART (A.S.M.E.)

SET PRESSURE Psig	35	40	50	60	70	80	90	100	150	200	250	300	400	500	507
RATED DISCHARGE * CAPACITY IN ACCORDANCE WITH A.S.M.E AIR AT 60°F AND 14.7 psia/scfm	298	329	390	452	514	575	637	698	1006	1314	1622	1930	2546	3162	3205

\* DISCHARGING TO ATMOSPHERE  
BS CALCULATIONS ARE FOR GUIDANCE ONLY.

## VALVE TYPE OPTIONS:

63618, 64618, 65618 = TUV, B.S. (P.E.D.)  
63718, 64718, 65718 = A.S.M.E. & N.B.  
63118, 64118, 65118 = A.S.M.E. & N.B., TUV, B.S. (P.E.D.)

## VALVE SELECTION CHART

Standard thread sizes shown, other sizes may be available

INLET CONNECTION	OUTLET CONNECTION	ORDERING CODE	TOP FITTING CODE			
			L	R	S	BV
G 1 (1" BSP PARALLEL)	G 1 1/2 (1 1/2" BSP PARALLEL)	63618A 63718A 63118A 64618A	3333	2133	1333	0533
R 1 (1" BSP TAPER)		64718A 64118A 65618A	3343	2143	1343	0543
1" NPT		65718A 65118A	3353	2153	1353	0553

Example: Ordering code 63618A 1333 is Sealed, Type S with 1" BSP Parallel inlet connection. 1 1/2" BSP Parallel outlet connection with Viton® seals and wirelocked.

Seal material: Last digit of ordering code calls up Viton® 'O' ring seal (since this is the most universal type).

When other material is required this changes to :

1. NITRILE
2. VITON®
3. VITON®
4. NEOPRENE
5. EHTYLENE PROPYLENE
6. PERFLUOROELASTOMER
7. PERFLUOROELASTOMER
8. PERFLUOROELASTOMER

For advice on seal material selection refer to Technical Information Section A.

SHEET 2 OF 2 SHEETS.



# SEETRU LIMITED

ALBION DOCKSIDE WORKS, BRISTOL. BS1 6UT  
TELEPHONE +44 (0) 117 927 9204, FAX +44 (0) 117 929 8193  
www.seetru.com enquires@seetru.com

18mm Nominal Bore  
DIRECT SPRING LOADED ENCLOSED  
DISCHARGE SAFETY VALVE FOR  
COMPRESSED AIR, GASES & STEAM

ENCLOSED DISCHARGE  
18mm NOMINAL BORE SERIES M/2  
TYPE 63618, 63718, 63118 BRASS  
TYPE 64618, 64718, 64118 ST.STL.  
TYPE 65618, 65718, 65118 BRASS / ST.STL.